

OIL-FIRED 3-PASS WATER BOILER

TriFire TRB



UP TO 87% AFUE EFFICIENCY

The TriFire TRB features an even more compact design than its predecessor for even easier installation. The unit features a High Limit Control with LED Display, easy to program Dial Settings, Boiler Water Temperature Reset and Low Water Cut Off functionality.

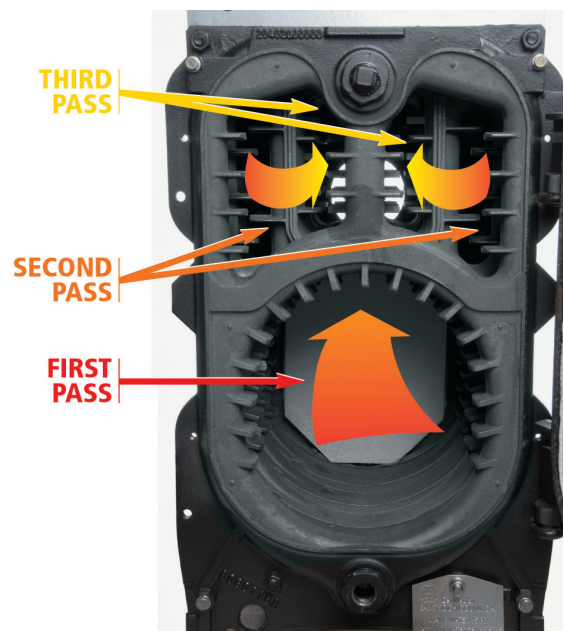
Wide flue ways, flexible oil line, dual hinged swing door with left or right mount option, site glass and a test port make the TriFire easy to service.

TriFire's low mass design is eco-friendly too, with AFUE efficiencies as high as 87% and low standby losses.



TRB FEATURES

- Advanced High Efficiency 3-Pass Heat Exchanger
 - Multiple firing rates
- 87% AFUE Models Qualify for ENERGY STAR®
- 105 MBH - 231 MBH
- High Limit Control with:
 - LED display
 - Easy to program dial settings
 - Boiler Water Temperature Reset
 - Low Water Cut Off functionality
- Compact Footprint
- Burners and Venting Options
- 20 Year Non-prorated Limited Warranty (Residential)



RATINGS

| MODEL | AHRI CERTIFIED RATINGS | | | | | DIMENSIONS | | | | | | | |
|----------|------------------------|--------------------------|--|---------------------------------------|---------------------------------|------------|---------------|--------------------------|-----------------------|-------------|--------------|-------------|-------------|
| | Firing Rate GPH | Input MBH ⁽¹⁾ | Heating Capacity MBH ⁽¹⁾⁽²⁾ | Net AHRI Rating MBH ⁽¹⁾⁽³⁾ | Efficiency AFUE% ⁽²⁾ | # of Sec. | Chimney Size | Flue Size ⁽⁴⁾ | Water Content Gallons | - A - Width | - B - Height | - C - Depth | Weight Lbs. |
| TRB4075* | 0.75 | 105 | 92 | 80 | 87.0 | 4 | 8" x 8" x 15' | 5" | 3.6 | 17-3/4" | 31" | 18-3/8" | 436 |
| TRB4090 | 0.90 | 126 | 110 | 96 | 86.0 | 4 | 8" x 8" x 15' | 5" | 3.6 | 17-3/4" | 31" | 18-3/8" | 436 |
| TRB5100* | 1.00 | 140 | 123 | 107 | 87.0 | 5 | 8" x 8" x 15' | 5" | 4.3 | 17-3/4" | 31" | 21-5/8" | 496 |
| TRB6130* | 1.30 | 182 | 160 | 139 | 87.0 | 6 | 8" x 8" x 15' | 5" | 5.1 | 17-3/4" | 31" | 24-7/8" | 560 |
| TRB7165* | 1.65 | 231 | 202 | 176 | 87.0 | 7 | 8" x 8" x 15' | 6" | 5.9 | 17-3/4" | 31" | 28-1/8" | 620 |

*ENERGY STAR® models

CONNECTIONS

| | |
|-----------------------|------------|
| Water Return & Supply | 1-1/4" NPT |
|-----------------------|------------|

ELECTRICAL

| |
|---|
| 120 V ac, 60 hertz, 1 phase, less than 12 amps (15 amp circuit recommended) |
|---|

STANDARD EQUIPMENT

Boiler Control Module: Hydrolevel Fuel Smart HydroStat, combination Low Water Cut Off with boiler temperature reset and circulator control.
 Display Interface: Digital display with easy to set dial-type limit settings.
 Heat Exchanger: High efficiency, cast iron, 3-pass design with reversible swing door and target wall. Efficiency baffles/liner by model.
 Combustion: Oil burner with protective cover, flexible oil line.
 Electrical: Wiring harness with Molex connectors. Burner electrical disconnect.
 Other: Temperature/pressure gauge, 3/4" ASME relief valve, drain valve, textured painted steel jacket.

OPTIONS

Beckett or Riello Burner; Manual Reset High Limit with plug-in Molex connector, and Direct Vent (Direct Vent not available on TRB4090); DHW (Domestic Hot Water) Module Available (Sold Separately)

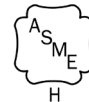
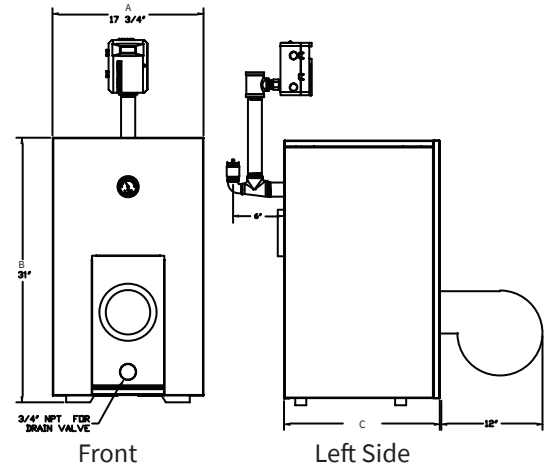


DHW Module 550003792U

The DHW Module is a great way to make domestic hot water when paired with our TRB boiler.

- Digital control has the ability to set a consistent DHW temperature from 108°F - 140°F
- Brazed plate stainless steel heat exchanger offers lower pressure drop than tankless water coils with nearly 100% heat transfer efficiency
- Simple and flexible installation - mounts on a wall near the boiler as an additional heating zone
- Easy to service and clean

- (1) 1000 Btu/hr (British Thermal Units Per Hour)
- (2) Heating capacity and AFUE (Annual Fuel Utilization Efficiency) are based on DOE (Department of Energy) test procedures.
- (3) Net AHRI ratings shown are based on piping and pickup factor of 15% in accordance with AHRI Standard as published by Hydronics Institute. Contact Technical Support before selecting boiler for installations having unusual piping and pickup requirements, such as intermittent system operation, extensive piping systems, etc
- (4) Refer to IOM and vent pipe manufacturer's instructions for equivalent lengths and approved venting materials.



ECR International, Inc. 2201 Dwyer Avenue, Utica, NY 13501
 Tel. 800 253 7900
 www.ecrinternational.com



All specifications subject to change without notice.
 ©2021 ECR International, Inc.
 PN 240007378 Rev. [01/12/21]