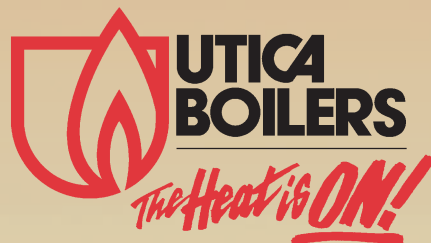


Natural or Propane Gas-Fired Boilers

Quality Engineered for Efficiency and Dependability

UB90-200 Series



UB90-200 Series Boilers

Gas-Fired/Natural or Propane, Hot Water

Warm Up to Higher Efficiency and Innovative Technology!

The UB90-200 hot water boiler by Utica delivers homeowners the optimum combination of high efficiency, innovative technology, and simplicity of design.

Remarkable 90% AFUE Efficiency

The UB90-200 dramatically reduces fuel consumption and pays for itself with substantial annual fuel savings. Its efficiency is increased beyond 90% when used in low temperature systems, such as radiant systems.

Revolutionary Cast Aluminum “MonoBlock” Heat Exchanger

This one-piece heat exchanger design eliminates leaks that can occur between sections of multi-piece heat exchangers. The greater thermal conductivity of cast aluminum transfers heat *three times faster* than conventional cast iron, producing enormous gains in heat-up speed and operating efficiency. Also, the packaged boiler weighs only 278 pounds for easier installation.

Simplified Controls

The UB90-200’s control design is engineered to maximize reliability. The UB90-200 incorporates an integrated boiler control with high limit and low water cut-off for operation, safety and diagnostics. Ignition is provided by a hot surface igniter and a single stage gas valve. Dual switches ensure air intake and exhaust vents are clear. All components are easily accessible through the removable door.

Sealed Combustion, Direct-Vent Forced Draft System

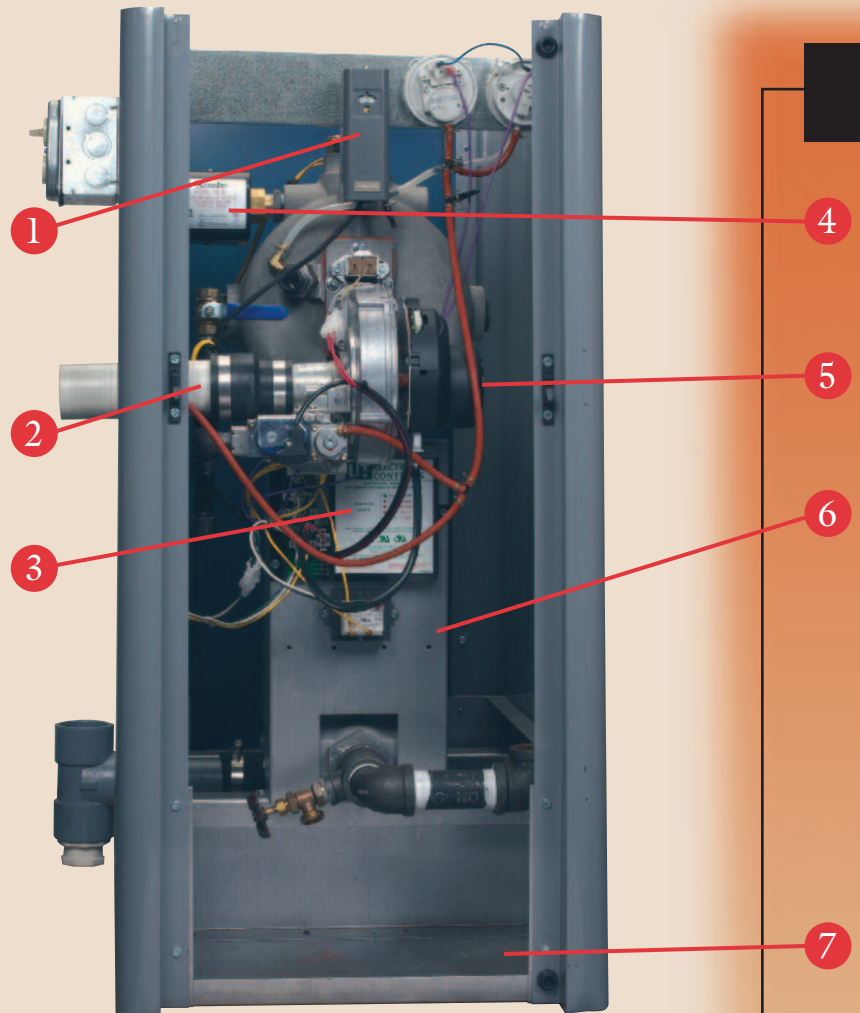
Unlike conventional atmospheric boilers, the UB90-200 draws fresh air from outdoors for combustion, instead of air from inside the home. Therefore it does not compete with building occupants for its air supply. With this design the UB90-200 runs quieter and more efficiently than a traditional boiler.

Safe, Economical CPVC and PVC Vent Pipe

Cooled flue gas can be safely vented through inexpensive readily available and easy to install PVC, after 5' of CPVC provided with the unit. The air intake also utilizes PVC pipe.

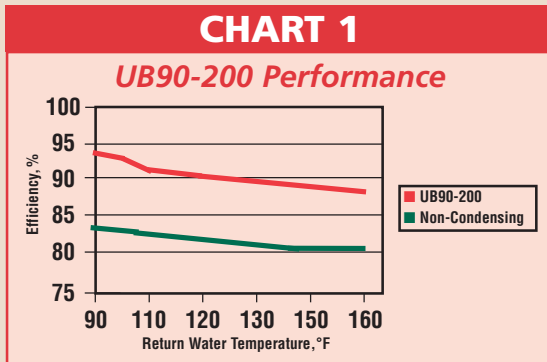
Environmentally Friendly

The UB90-200’s direct-vent system, premix gas burner and low flame temperature reduce CO and NOx emissions (acid rain and smog components) by more than 30% and 50% respectively.





Come Home To The Safety And Comfort Of Sealed Combustion Technology



Ideal for Use with Radiant Systems

When used in combination with radiant systems, which use low supply and return water temperatures, the UB90-200's efficiency is increased beyond 90%. Unlike cast iron boilers, the UB90-200 does not require a return bypass or injection pumping system to preheat return water prior to entering the heat exchanger. This saves on material and labor costs since the cast aluminum heat exchanger works best at low water temperatures (see Chart 1).

PAYBACK

UB90-200	90% AFUE
Typical 20-year old Boiler	70% AFUE
Difference in AFUE	20%
Increased Efficiency over 70% Model	28.57%
	(20% ÷ 70%)

The increased efficiency of the UB90-200 could save you approximately 28% on your heating bill each year... which means, if you pay \$1500 annually in fuel bills to space heat your home, you could save as much as **\$428 per year!**

Now that's payback!

UB90-200 Boiler Features

- 1 High Limit Control
- 2 Air Vent Pipe
- 3 Integrated Boiler Control (IBC)
- 4 Low Water Cut-off
- 5 Forced Draft Fan
- 6 Cast Aluminum Mono-Block Heat Exchanger
- 7 Combustible Floor Plate

UB90-200 Natural or Propane Gas-Fired Boilers

MODEL	INPUT (MBH)	HEATING CAPACITY (MBH)	I=B=R NET RATING (MBH)	AFUE (%)	FLUE DIAMETER	SHIPPING WEIGHT (POUNDS)
*UB90-125	125	112.5	98	90.0	3"	284
*UB90-150	150	135.0	117	90.0	3"	284
*UB90-175	175	157.5	137	90.0	3"	284
*UB90-200	200	180.0	157	90.0	3"	284

*Indicates an ENERGY STAR® product.

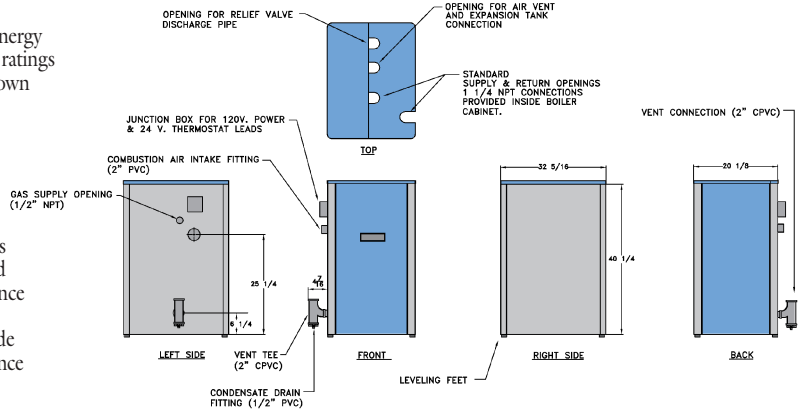
The ratings marked "NET I=B=R RATINGS" indicate the amount of energy that can be applied to heat the radiation or terminal units. The Net I=B=R ratings shown are based on an allowance of 1.15 in accordance with the factors shown on the I=B=R Code as published by the Hydronics Institute.

Selection of boiler size should be based upon "NET I=B=R RATING" being equal or greater than the calculated heat loss of the building.

Consult manufacturer before selecting a boiler for installations having unusual piping and pick-up requirements. UB90-200 boilers may be installed on combustible flooring (No Carpets).

These gas-fired boilers are design certified by C.S.A. in the United States and Canada for use with natural and propane gas. They are constructed and hydrostatically tested for a maximum working pressure of 50 psi in accordance with A.S.M.E. (American Society of Mechanical Engineers) Boiler and Pressure Vessel Code Section IV standards for heating boilers. They are capacity rated in accordance with the code of the Hydronics Institute.

Specifications and dimensions are subject to change without notice.



SPECIFICATIONS

- GAS-FIRED, DIRECT-VENT CONDENSING HOT WATER BOILER
- May be installed on combustible flooring (No Carpets)
- 1" clearance on top, right, base, and back to combustible construction
- 8" clearance left side for vent/air intake pipe installation
- 24" clearance front and left side, 8" top clearance for servicing
- 0" clearance for Vent and Air Intake Pipes to combustible construction

CONNECTIONS

- 120 Volts AC, 60 Hertz, 1 Phase, Less than 12 Amps
- VENT PIPE & AIR INTAKE PIPE
 - Vent pipe - first 5' is schedule 80, 2" CPVC (provided), then schedule 40, 2" or 3" PVC
 - Air intake - schedule 40, 3" PVC
- Water In/Out 1-1/4" NPT
- Gas In 1/2" NPT
- Condensate Drain 1/2" PVC

UB90-200 STANDARD EQUIPMENT

- Aluminum boiler with painted jacket.
- Hi limit aquastat.
- Transformer.
- 1-1/4" Taco or Grundfos circulator.
- Low water cut off.
- Temperature and pressure gauge.
- 30 psi ASME relief valve.
- Air vent.
- Service switch.
- Condensate Drain Trap Kit

Completely installed and wired safety control system with burner consisting of:

- Microprocessor based Integrated Boiler Control.
- Stainless steel premix burner.
- Automatic gas valve.
- Hot surface igniter.
- Casting and temperature safety switch.
- Air flow proving switches (2).
- Forced Draft Blower.

YOUR ASSURANCE OF QUALITY

Utica Boilers products are designed, tested, and assembled to ensure that you get the very best in home heating comfort and value. Each boiler meets or exceeds all recognized safety, performance efficiency standards.



P.O. Box 4729 • Utica, New York 13504
 Tel. 315-797-1310 • Fax 866-432-7329
 E-mail: sales@uticaboilers.com
 Web Site: www.uticaboilers.com

USA Contractor Assistance:
800-325-5479