

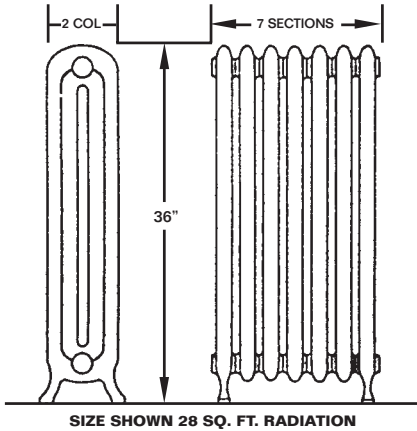


RADIATION TABLES

The output of a radiator is measured in square feet of radiation. To determine the number of square feet of radiation in a radiator:

1. Measure the height of the radiator.
2. Count the number of columns in a section.
3. Count the number of sections.

Multiply the total number of sections by the number of square feet per section as shown in the following tables:

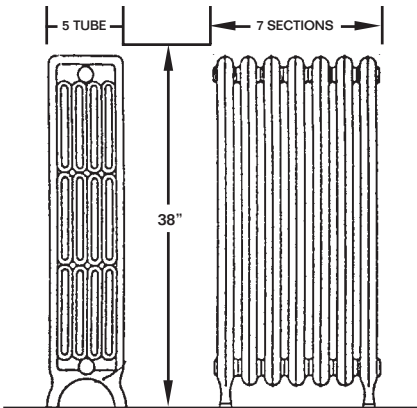


SIZE SHOWN 28 SQ. FT. RADIATION

Column Type Radiators

SQ. FT. RADIATION PER SECTION

Height Inches	One Column	Two Column	Three Column	Four Column	Window
13	—	—	—	—	3
16	—	—	—	—	3 ³ / ₄
18	—	—	2 ¹ / ₄	3	4 ¹ / ₄
20	1 ¹ / ₂	2	—	—	5
22	—	—	3	4	—
23	1 ³ / ₈	2 ¹ / ₈	—	—	—
26	2	2 ³ / ₈	3 ³ / ₄	5	—
32	2 ¹ / ₂	3 ³ / ₈	4 ¹ / ₂	6 ¹ / ₂	—
38	3	4	5	8	—
45	—	5	6	10	—

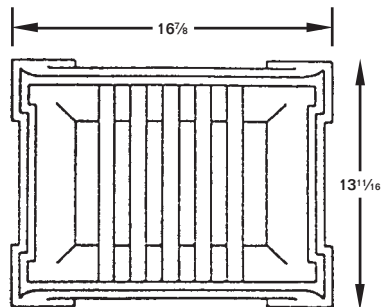


SIZE SHOWN 35 SQ. FT. RADIATION

Tube Type Radiators

SQ. FT. RADIATION PER SECTION

Height Inches	Three Tube	Four Tube	Five Tube	Six Tube	Window Seven Tube
14	—	—	—	—	2 ¹ / ₂
17	—	—	—	—	3
20	1 ³ / ₄	2 ¹ / ₄	2 ² / ₈	3	3 ² / ₈
23	2	2 ¹ / ₂	3	3 ¹ / ₂	—
26	2 ¹ / ₈	2 ³ / ₄	3 ¹ / ₂	4	4 ³ / ₄
32	3	3 ¹ / ₂	4 ¹ / ₈	5	—
38	3 ¹ / ₂	4 ¹ / ₄	5	6	—



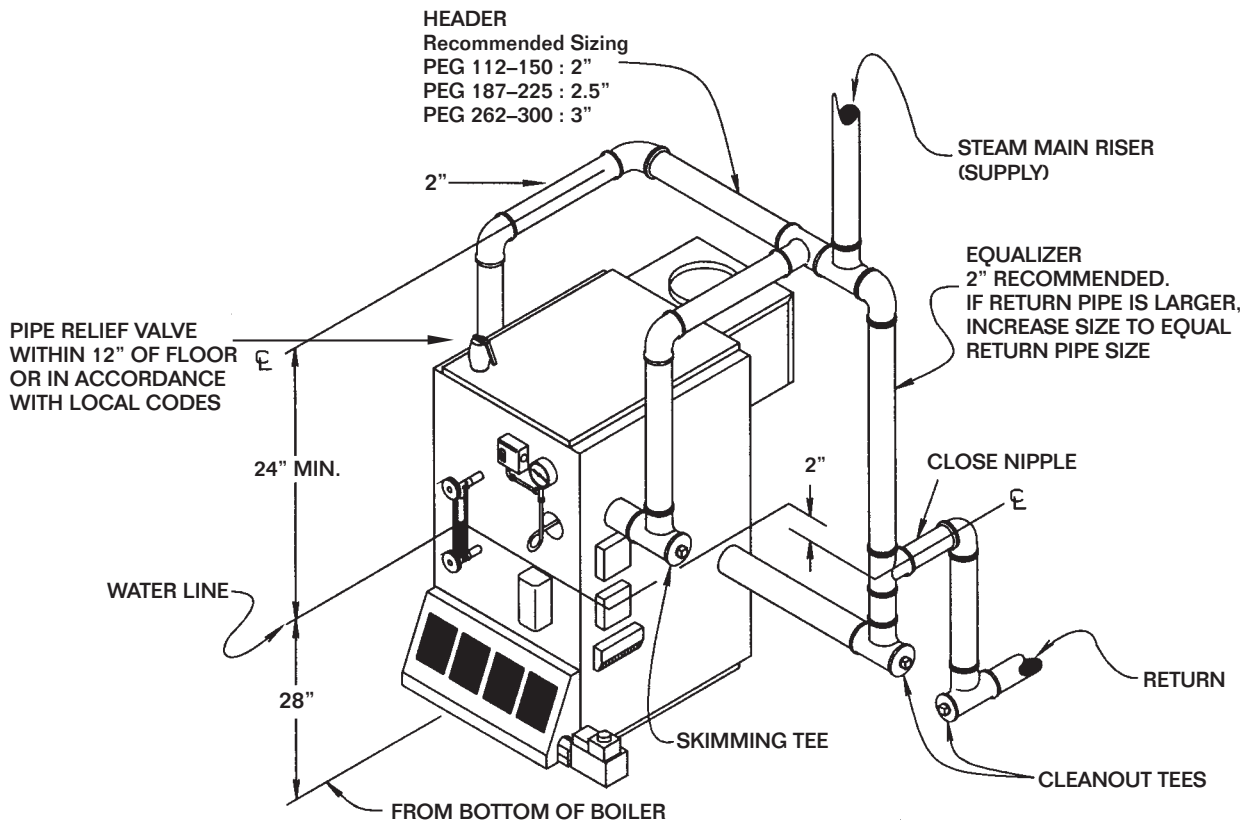
SIZE SHOWN 5 SQ. FT. RADIATION

Wall Type Radiators

Wall radiators are measured by their height, length and thickness. The following shows the number of square feet of heating surface per section:

SQ. FT. RADIATION PER WALL RADIATOR SECTION

Type of Section	Height Inches	Length or Width, In.	Thickness Inches	Heating Sq. Ft. Radiation
5-A	13 ⁵ / ₁₆	16 ⁵ / ₈	2 ⁷ / ₈	5
7-A	13 ⁵ / ₁₆	21 ⁷ / ₈	2 ⁷ / ₈	7
7-B	21 ⁷ / ₈	13 ⁵ / ₁₆	3 ¹ / ₁₆	7
9-A	18 ⁵ / ₁₆	29 ¹ / ₁₆	2 ⁷ / ₈	9
9-B	29 ¹ / ₁₆	18 ⁵ / ₁₆	3 ¹ / ₁₆	9



NOTE: BOTH 2" SUPPLY TAPPINGS MUST BE USED. ALL NEAR BOILER SUPPLY HEADER PIPING MUST BE A MINIMUM OF 2". DO NOT REDUCE.

