



**Models**  
**MGC-8D**  
**MGC-8DP**  
**MGC-9D**  
**MGC-9DP**

**MGC**  
**GAS-FIRED**  
**HOT WATER BOILERS**  
With Hydrolevel Control

**PARTS AND OPTIONAL**  
**ACCESSORIES**

Ordering Instructions

Order Parts through your nearest supplier.

When ordering parts, obtain Model Number and Serial Number from data plate on your boiler.

Include following information when ordering.

Part Number \_\_\_\_\_

Part Description \_\_\_\_\_

Boiler Model Number \_\_\_\_\_

Boiler Serial Number \_\_\_\_\_

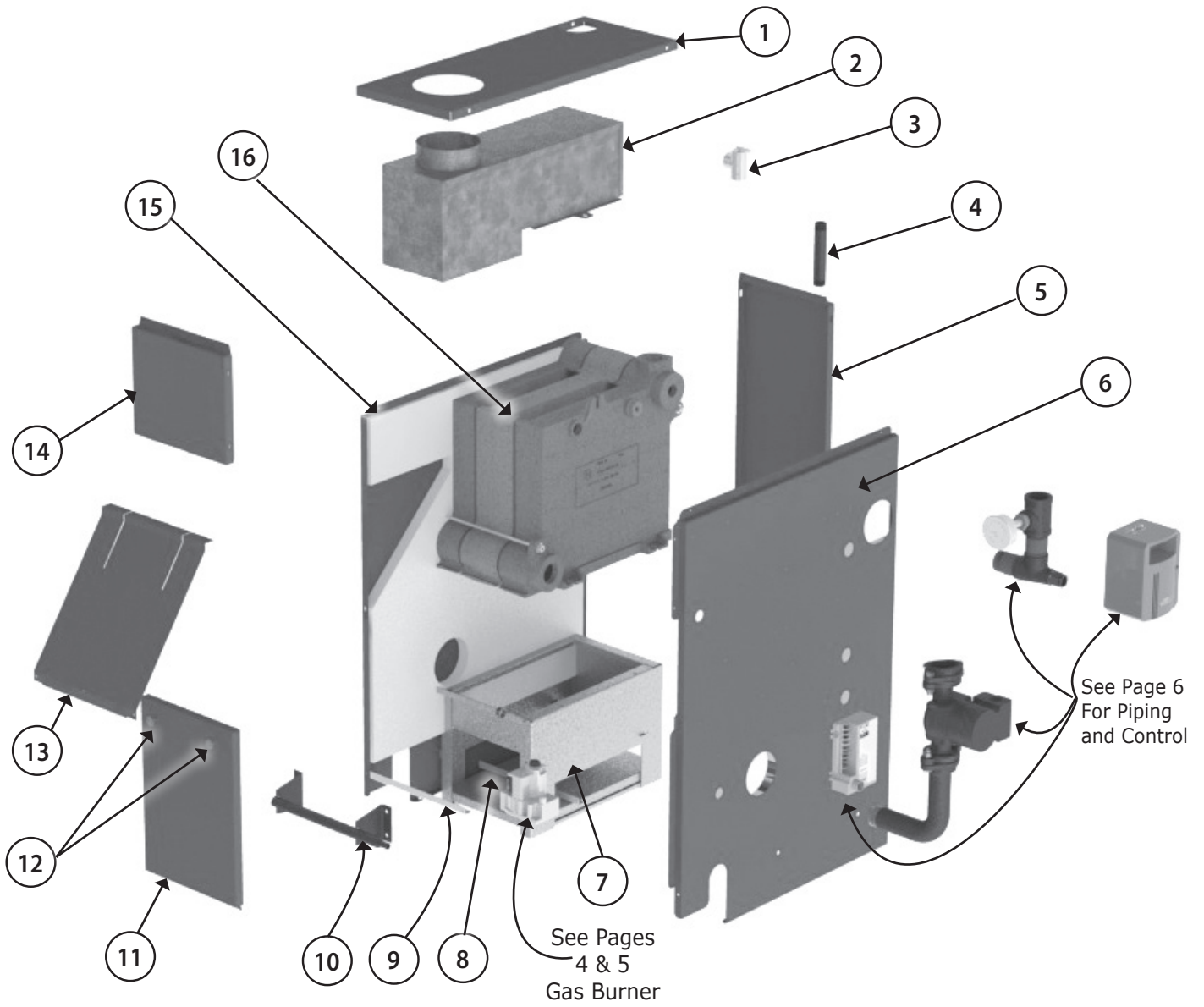


**ECR** international  
EST. 1928  
A Family of Heating & Cooling Brands.

**Manufactured by:**

**ECR International, Inc.**  
2201 Dwyer Avenue, Utica NY 13501  
web site: [www.ecrinternational.com](http://www.ecrinternational.com)

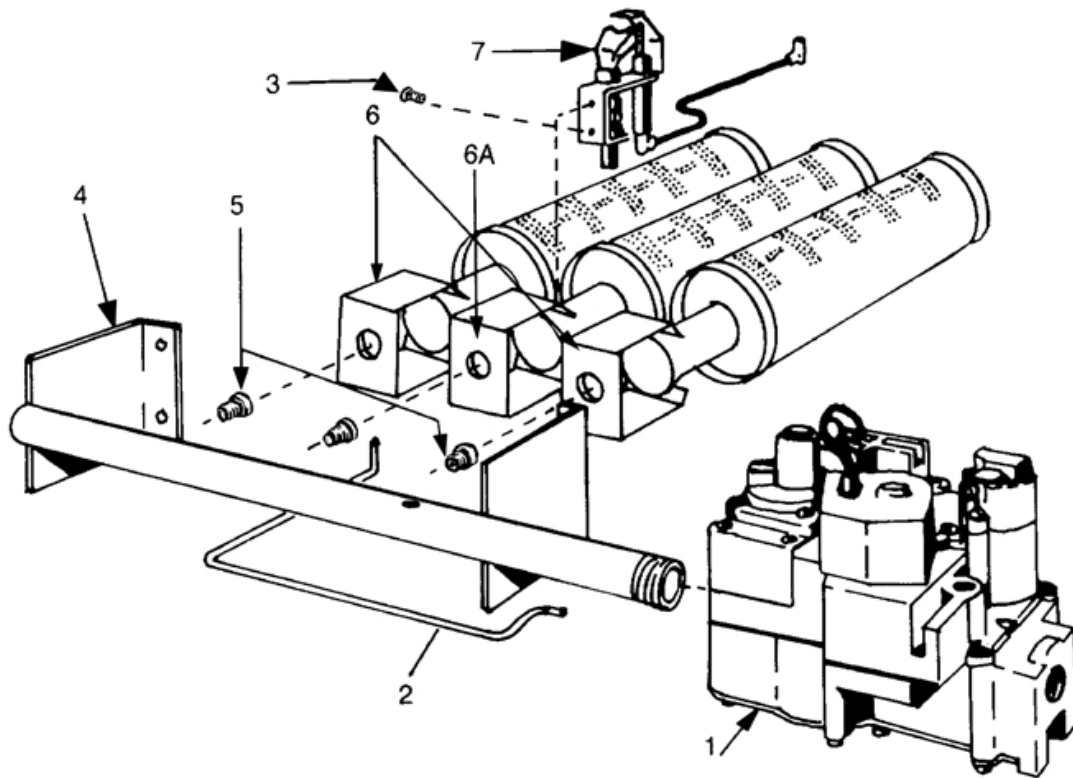
# REPAIR PARTS



## JACKET ASSEMBLY

	DESCRIPTION	8	9
		SECTION	SECTION
		Part No.	Part No.
1	Jacket, Top Panel	42500848AC	42500849AC
2	Draft Diverter	42500678	42500679
3	3/4" ASME Safety Relief Valve	14622011	
4	3/4" x 6 1/2" Adapter	14607002	
5	Jacket, Back Panel	42500838AC	42500839AC
6	Jacket, Right Side Panel	109008574AD	
7a	Base	42500668	42500669
7b	Base Insulation	14614130	
	- Base Sides (2)	14614118	14614119
	- Base Front	14614128	14614129
	- Base Rear		
8	Base Baffle	42500648	42500649
9	Jacket Tie Bar	42500658	42500659
10	Gas Manifold	See Pages 4 & 5	
11	Jacket, Diverter Panel	42500828AC	42500829AC
12	Knob, Service Door (Pair)	13702153	
13	Jacket, Diverter (Service Door)	42500828AC	42500829AC
14	Jacket, Front Panel	42500808AC	42500809AC
15	Jacket, Left Side Panel	109008736AD	
16	Block Assembly	41000831	41000931
‡	Jacket Complete	550002546	550002547
‡	Combustible Floor Plate	14614032	
‡	Cerafelt Gasket (sold per foot)	14614018	14614018
‡	Vent Damper	240006939	
‡	Base Assembly (7A, 7B, 8)	43300668	43300669
‡ Not illustrated			

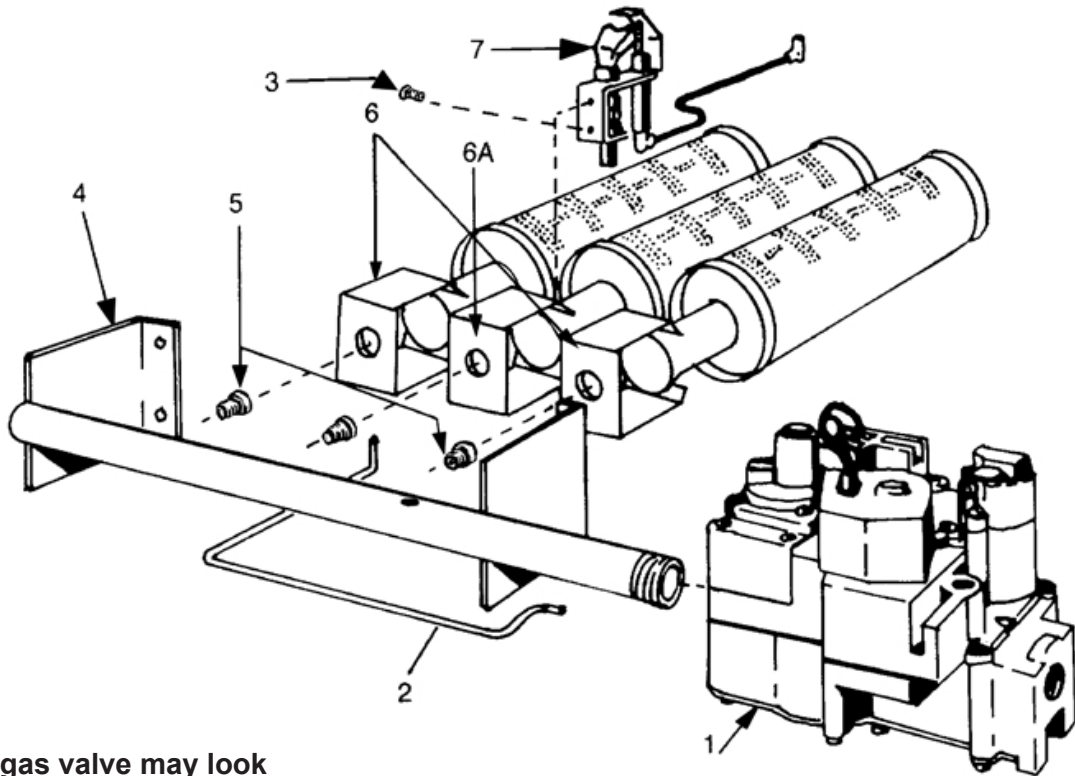
**Natural Gas Only**



**NOTE:** Actual gas valve may look different than gas valve shown

<b>NATURAL GAS (ONLY) BURNER &amp; MANIFOLD PARTS</b>			
KEY NO.	DESCRIPTION		
		8 Section	9 Section
1	Gas Valve, Natural Gas	14662058	14662058
2	Pilot Tube	14615006	14615006
3	10-32 x 3/16" Slotted Hex Head Screws	14695301	14695301
4	Gas Manifold	14616015	14616016
5	Main Burner Orifice*	14615035	14615035
6	Main Burner Regular**	14615532	14615532
6A	Main Burner, Pilot Mount	14615531	14615531
7	Intermittent Pilot	240011102	240011102
+	Rollout Shield	42500938	42500939
*Requires 1 less than the number of sections.			
**Requires 2 less than the number of sections.			
+ Not illustrated			

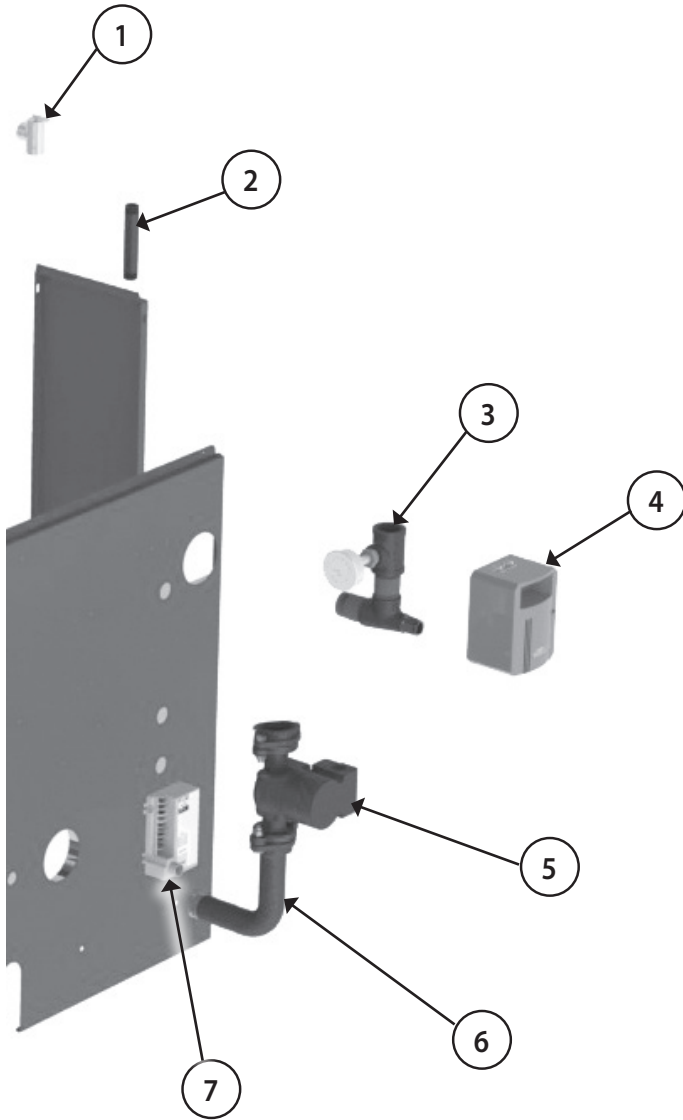
**Propane Gas Only**



**NOTE: Actual gas valve may look different than gas valve shown**

<b>PROPANE GAS (ONLY) BURNER &amp; MANIFOLD PARTS</b>			
KEY NO.	DESCRIPTION		
		8 Section	9 Section
1	Gas Valve, LP Gas	550002740	550002740
2	Pilot Tube	14615006	14615006
3	10-32 x 3/16" Slotted Hex Head Screws	14695301	14695301
4	Gas Manifold	14616015	14616016
5	Main Burner Orifice*	14615036	14615036
6	Main Burner Regular**	14615532	14615532
6A	Main Burner, Pilot Mount	14615531	14615531
7	Pilot Burner (includes)***	240011102	
		PB00208	
		14662087	
+	Rollout Shield	42500938	42500939
*Requires 1 less than the number of sections. **Requires 2 less than the number of sections. *** Pilot shipped natural gas only; orifice and fitting required for LP conversion + Not illustrated			

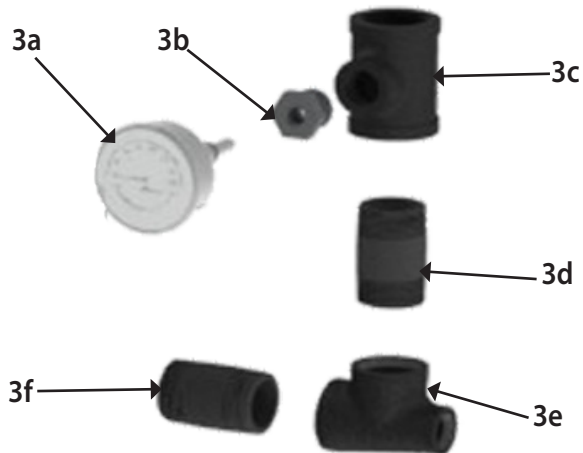
**BOILER CONTROLS AND PIPING**



Key No.	Description	Part No.
1	¾" ASME Relief Valve	14622011
2	¾" x 6½" Nipple	14607002
3	3a Temperature Pressure Gauge - 2" shank	1260006SP
	3b Bushing, ¾" x ¼", Black Iron	1060002
	3c Tee, 1¼" x 1¼" x ¾", Black Iron	PF05901
	3d Adapter, 1¼" x 2½", Black Iron	14607044
	3e 1¼" x ¾" x 1¼" Tee	1510001
	3f 1¼" x 2½" Nipple	14607044
4	Hydrolevel Control	240009113
5	Grundfos Pump UP15-42F Circulator	CI006.01
	Taco Pump 007	CI-001.03
6	1¼" Bent Return Adapter	14607003
7	Intermittent Pilot Control	14662070
‡	Sensor Well	240007709
‡	Blocked Vent Safety Switch (36TX16-6282) 280°F	1500009
‡	Rollout Switch	14629002
‡	7" Vent Damper	240006939
‡	2½" x 1¼" Bushing (2 Required)	14693008
‡	2½" Plug	14693024
‡	2½" x ¾" Bushing	14693083
‡	½" Plug (3 Required)	1395003
‡	400°F Black Silicone Rubber Adhesive Sealant (10.3 oz. Cartridge)	240006837

‡ Not illustrated

**Temperature Pressure Gauge Assembly**



## MISCELLANEOUS PARTS

DESCRIPTION	PART NUMBER	QTY.
Circulator Harness	37519501	1
Damper Harness, 60"	240005480	1
Wire Harness, Rollout/Blocked Vent Safety Switch	37513301	2
Wire Harness, Gas Valve	43300942	1
Strain Relief Connector	EF-016.01	1
Wire Clamp	EF03601	1
Bushing, 7/8 to 3/4	206000023	1
Strain Relief Bushing	14634032	2
Screw, 10 x 12	14695074	2



**UTICA BOILERS**  
2201 Dwyer Avenue  
Utica NY 13501

---

web site: [www.ecrinternational.com](http://www.ecrinternational.com)